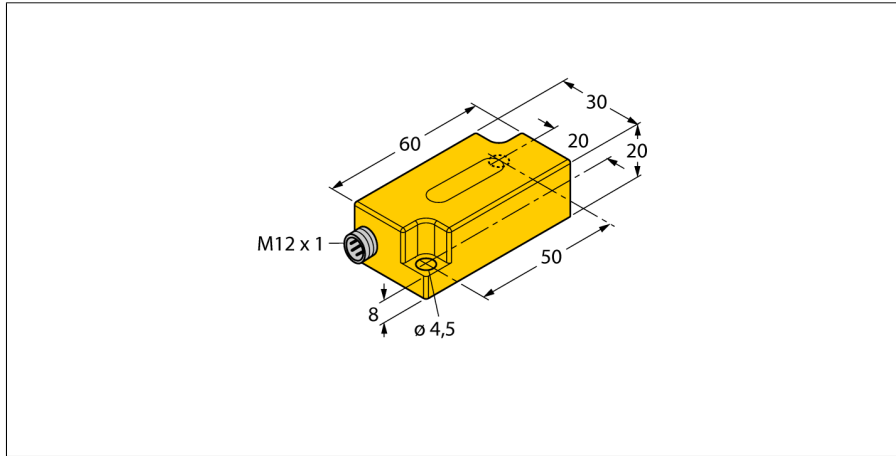


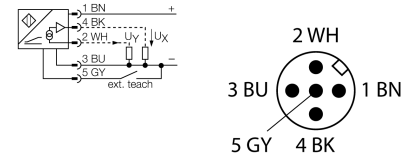
# Inclinometer

## B2N10H-Q20L60-2LU3-H1151



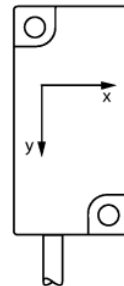
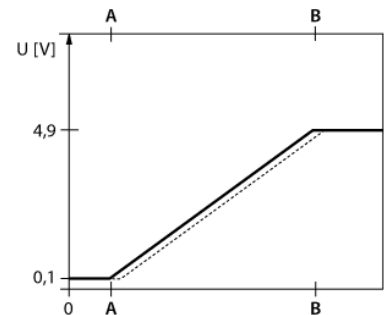
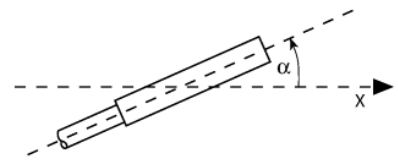
- Plastic, PC
- Zero point calibration  $\pm 5^\circ$
- Two analog outputs
- M12 x 1 male connector

### Wiring Diagram



### Functional principle

Inclination is determined by a wear-free semi-conducting sensor element.



<b>Type designation</b>	B2N10H-Q20L60-2LU3-H1151
Ident-No.	1534006
<b>Measuring range</b>	-10...10°
Measuring range x-axis	-10...10°
Measuring range y-axis	-10...10°
Repeatability	$\leq 0.2\%$ of measuring range  A - B
Linearity deviation	$\leq 1\%$
Temperature drift	$\leq \pm 0.05\% / K$
Resolution	$\leq 0.04^\circ$
Ambient temperature	-30...+70 °C
<b>Operating voltage</b>	10...30 VDC
Isolation test voltage	$\leq 0.5$ kV
Short-circuit protection	yes
Wire breakage/Reverse polarity protection	no/ yes
Surge protection	-48...48VDC [ $U_{b,max}$ ]
Output function	5-pin, Analog output
Voltage output	0.1...4.9V
Load resistance voltage output	$\geq 40$ k $\Omega$
Response time	0.1 s
	time for the output signal to achieve 90% full scale if the angle changes from -10° to +10°
Current consumption	50 mA
<b>Design</b>	Rectangular,Q20L60
Dimensions	60 x 30 x 20 mm
Housing material	Plastic, PC
Electrical connection	Connector, M12 x 1
Vibration resistance	55 Hz (1 mm)
Shock resistance	30 g (11 ms)
Protection class	IP68/IP69K
MTTF	203 years acc. to SN 29500 (Ed. 99) 40 °C
Packaging unit	1

# Inclinometer

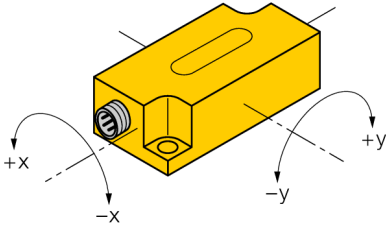
## B2N10H-Q20L60-2LU3-H1151

**TURCK**  
*works*

Industrial  
Automation

Mounting instructions/Description

Tilt angle



### Teaching

The zero point can be adjusted with teach adapter TX1-Q20L60.

Teach-GND is pressed for approx. 1 s to do this. The outputs are switched to 5 V as confirmation.

Teach-GND is pressed for 6 s to reset the axis zero points. The outputs are switched to 0 V as confirmation. Once the teach button is released, the sensor returns to normal operation.

**Inclinometer**  
**B2N10H-Q20L60-2LU3-H1151**



**Accessories**

Type code	Ident-No.	Description
TX1-Q20L60	6967114	Teach adapter for inductive encoders, linear position, angle, ultrasonic and capacitive sensors
SG-Q20L60	6901100	Protective frame for Q20L60; protects against mechanical impact; stainless steel

